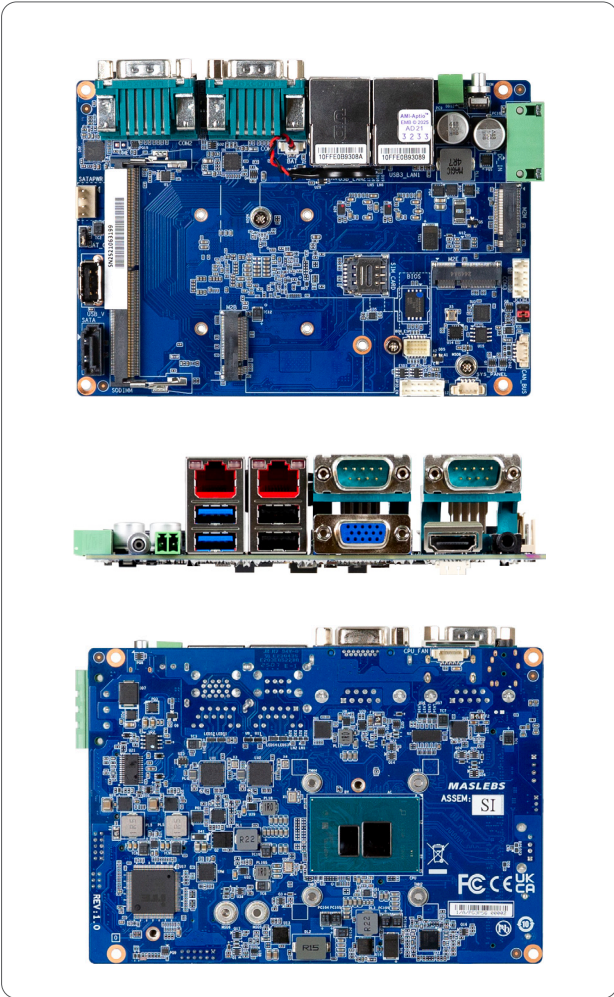


QBIP-x7433REB (MASLEBS)

3.5" SubCompact Embedded Motherboard with Intel® Atom® x7433RE Processor, Single Channel DDR5 memory, CANBus, Remote control, 3 x COM, TPM on board



Features

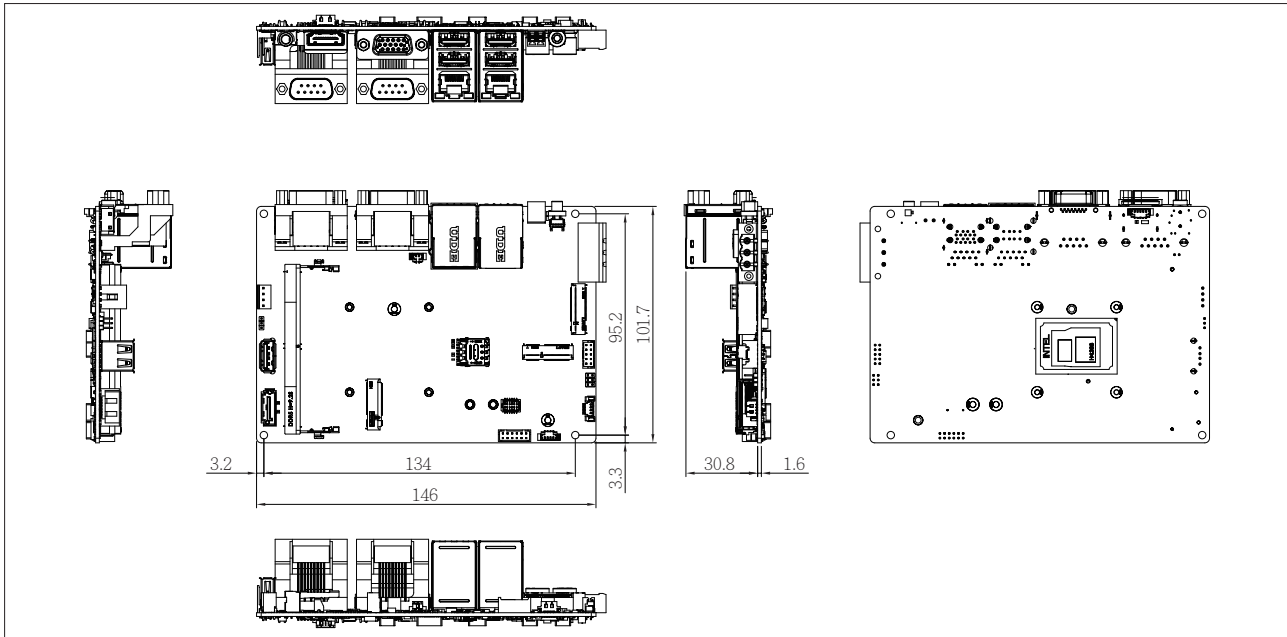
- 3.5" SBC
- Intel® Atom® x7433RE Processor
- Single Channel DDR5, 1 x SO-DIMM
- 2 x 2.5GbE LAN Ports
- 1 x SATA 6Gb/s Port
- HDMI, VGA ports for multiple display
- 3 x COM Ports (RS-232/422/485 & RI/5V/12V)
- TPM on board

Specifications

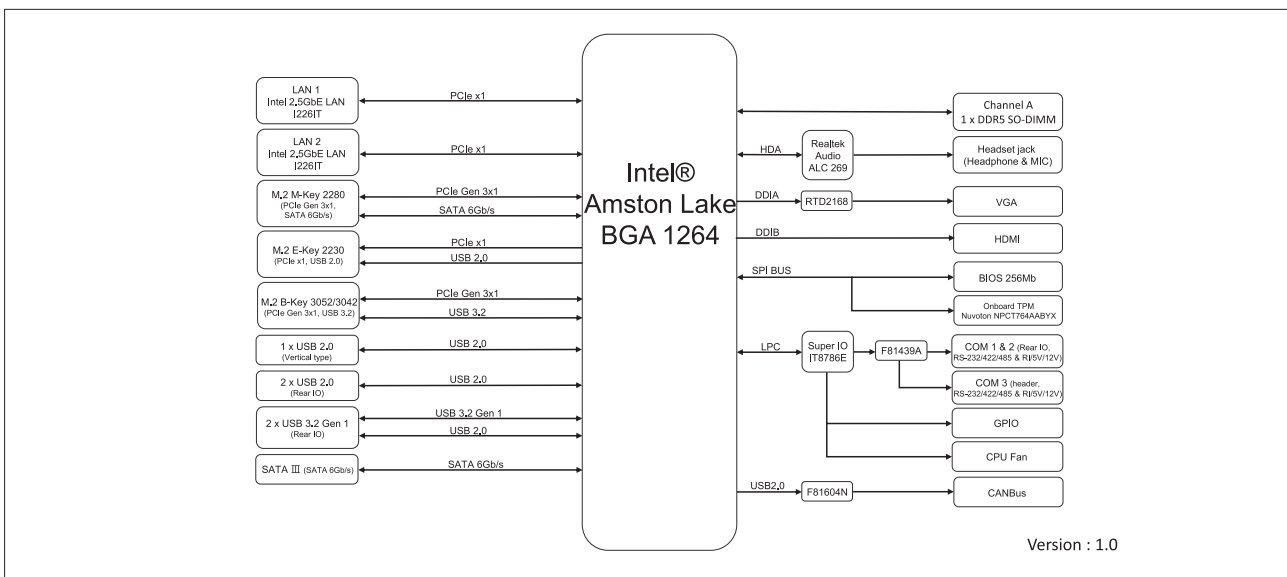
Form Factor	3.5" SBC 146W x 101.7Dmm
CPU	Intel® Atom® x7433RE Processor Intel 7, 4 cores, up to 3.40 GHz TDP 9W
Socket	1 x FCBGA1264
Memory	1 x DDR5 SO-DIMM socket, Max. Capacity 16 GB Support Single Channel DDR5 4800 MHz memory modules
Ethernet	2 x 2.5GbE LAN Ports (Intel® I226IT)
Video	Integrated Graphics Processor - Intel® UHD Graphics support: 1 x HDMI 2.0 port, supporting a maximum resolution of 4096x2160 @60Hz 1 x VGA port, supporting a maximum resolution of 1920x1080 @60Hz (2 independent display outputs)
Audio	Realtek® ALC269
Storage	1 x SATA 6Gb/s Port

Expansion Slots	1 x 2280 M.2 M-Key (PCIe Gen3x1, SATA 6Gb/s) 1 x 2230 M.2 E-Key 1 x 3052/3042 M.2 B-key with SIM Slot – 4G/5G Support 1 x Vertical USB 2.0
Internal I/O	1 x CPU fan header 1 x SATA Power header 1 x Front panel header 1 x COM header (RS-232/422/485 & RI/5V/12V) 1 x CANBus header 1 x AT/ATX mode select jumper 1 x GPIO (8 bits) header
Front I/O	2 x RJ45 LAN Ports 2 x USB 3.2 Gen 1 2 x USB 2.0 1 x HDMI 1 x VGA 1 x Remote control header 2 x COM Ports (RS-232/422/485 & RI/5V/12V) 1 x Power button with LED 1 x Combo audio jack (Headphone & Headset)
Side I/O	1 x 3-pin Terminal Block (DC in +9V~36VDC)
TPM	Onboard TPM 2.0 security chip Nuvoton NPCT764AABYX
OS Compatibility	Windows 11 IoT Enterprise LTSC 2024(24H2) 64bits Windows 10 IoT Enterprise LTSC 2021(21H2) 64bits Ubuntu 22.04.5 LTS Ubuntu 24.04.1 LTS Ubuntu 24.10
Operating Properties	Operating temperature: -20°C to 70°C Operating humidity: 60% @ 20-95% (non-condensing) Non-operating temperature: -40°C to 85°C Non-operating humidity: 85% @ 95% (non-condensing)
Packing Content	Carton size: 465 x 351 x 217 (mm) Packing Capacity: 10pcs Single Box size: 221 x 178 x 65 (mm) Including: SATA power Cable x 1 (P/N: 25CRI-200B02-K1R)
Order Information	9MASLEBSMR-SI (Box Packing)

GIGAIPC reserves the right to modify or change technical data without prior notice.



Block Diagram



Optional Kit

Part No.	Description	Quantity
25ST1-113109-Y0R	Heat Spreader	1
25ST4-123103-Y0R	Fansink	1

GIGAIPC reserves the right to modify or change technical data without prior notice.