

Product Change Notification

Document No. PCN-A-20260506 **Revision** 1.0

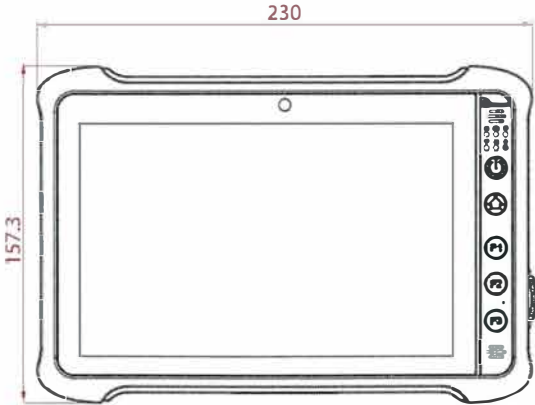
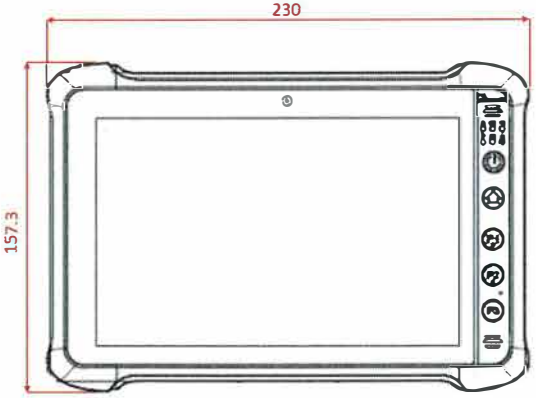
PCN TOPIC: M900EK specification upgrade and assembly optimization.

PCN Type: Product Spec Changes

Change Detail Descriptions:

1. M900EK will support USB Type-C PD charging through the USB-C port.
 2. To enhance M900EK assembly, the panel installation orientation will be reversed for optimization.
- Both changes will optimize the same product functionality and have no impact on product quality or intended use.

Change and Impact:

Item	Original	New
I/O Port	1 x USB 3.0 (Type A) 1 x USB 3.0 (Type C) 1 x 15pin D-sub connector 1 x DC jack	1 x USB 3.0 (Type A) 1 x USB 3.0 (Type C, support PD 3.0 Charging) 1 x 15pin D-sub connector Remove DC jack
Appearance		Screen position shift 

Impacts:

BIOS change: **Yes** Device Driver changes: **No** Software: OS image changes: **No**
 Board changes: **Yes** Mechanical changes: **No**

Impacted Product List:

Product line	Model Name
Windows Rugged Tablet	M900EK