

Features

- 15" Industrial Compact Size Panel PC
- 12th/13th Gen. i3-1215U/i5-1235U/i7-1255U(Alder Lake) i3-1315UE/i5-1335UE/i7-1365UE(Raptor Lake)
- Support 2 x DDR4 3200Mhz SO-DIMM, up to 64GB
- IP66 Compliant Aluminum Front Bezel
- Support Resistive touch screen and Projected Capacitive Multi-touch screen
- Support Auto-Dimming (for option)
- Support High Brightness LCD Version (for option)
- Fanless Design
- DC 9~36V Wide Range Power Input

Specifications

System	
CPU	Intel Core i3-1215U, 2P+4E, 1.2 GHz Base, TDP=15W Intel Core i5-1235U, 2P+8E, 1.3 GHz Base, TDP=15W Intel Core i7-1255U, 2P+8E, 1.7 GHz Base, TDP=15W Intel Core i3-1315UE, 2P+4E, 1.2 GHz Base, TDP=15W Intel Core i5-1335UE, 2P+8E, 1.3 GHz Base, TDP=15W Intel Core i7-1365UE, 2P+8E, 1.7 GHz Base, TDP=15W
System Chipset	SoC
Memory	2 x DDR4 3200Mhz SO-DIMM, up to 64GB
BIOS	AMI UEFI

I/O Port	
USB	2 x USB 3.2 Gen 1 Type-A, 2 x USB 2.0 Type-A
Serial/Parallel	1 x DB9 Type RS-232/422/485 (COM1, BIOS selection, RS-232 is default) 1 x DB9 Type RS-232/422/485 (COM2, BIOS selection, RS-232 is default) 1 x DB9 Type RS-232 (COM3)
Display Output	1 x HDMI 2.1, resolution up to 4096 x 2304@60Hz
LAN	1 x RJ-45 Type Intel I219LM, GbE LAN 1 x RJ-45 Type Intel I210AT, GbE LAN
Power	1 x Terminal Block Type, DC 9~36V Power Input

Storage Space	
HDD/SSD	1 x M.2 2280 M-Key socket (PCIe 3.0 x4)

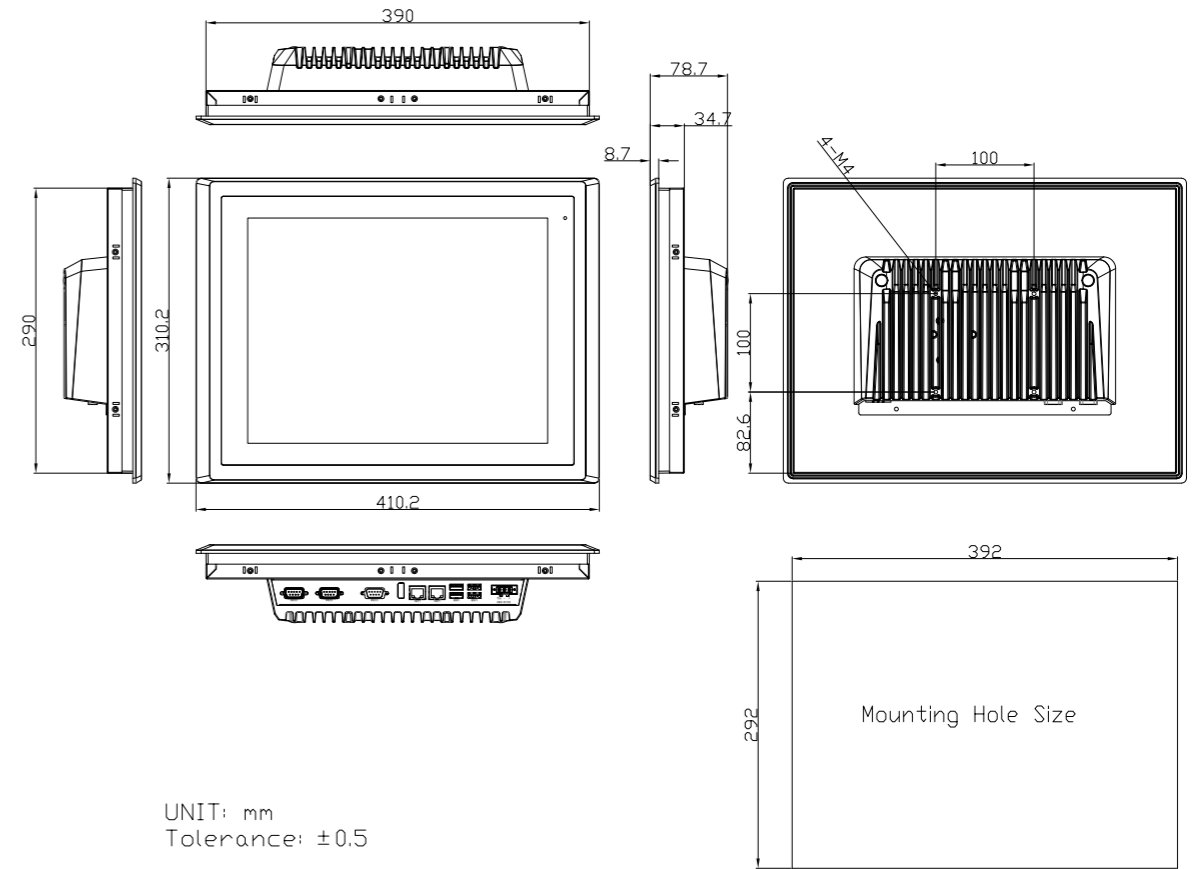
Expansion	
Expansion slot	1 x M.2 E-Key slot (Support WiFi+BT, 2230)(USB2.0, PCIe x1) 1 x M.2 B-Key slot with 1 x Nano-SIM slot (Support 4G/5G, 3042/3052) (USB3.2 Gen 1 x1, PCIe x1 (Default)/ SATA, USB2.0)

Storage Space	
TPM	Onboard TPM2.0 SPI I/F TPM Infineon_SLM8670 IC
Watchdog Timer	1~255 sec (system)
Wake on LAN	Support WOL and PXE Boot

Display	Standard	High Brightness by SKU
Display Type	15" TFT-LCD	15" TFT-LCD
Max. Resolution	1024 x 768	1024 x 768
Max. Color	16.7M	16.7M
Luminance (cd/m ²)	350	1,000
View Angle	178(H)/178(V)	176(H)/176(V)
Contrast	1,000:1	3,000:1
Backlight Lifetime	50,000 hrs	70,000 hrs

Touch Screen	
Type	Resistive Touch (DR Model) / Projected Capacitive Touch (DP Model)
Interface	USB 2.0
Light Transmission(%)	Resistive Touch: 80% / Projected Capacitive Touch: 90%

Dimensions



UNIT: mm
Tolerance: ±0.5

Power	
Power Input	DC 9~36V
Power Consumption	ARCHMI-S-915DP/R: 80W(Max)

Mechanical	
Construction	Aluminum Die-casting Chassis
Mounting	Panel Mount, VESA 100 x 100
IP Rating	IP66 Compliant Front Bezel
Dimensions (WxHxD)	410.2 x 290 x 78.7mm
Net Weight	5 kg

Environmental	
Operating Temperature	Standard: -20~60°C (w/ WT RAM/SSD) High Brightness: 0~50°C
Storage Temperature	-30~70°C
Humidity	10 to 95%@ 40°C, non-condensing
Certificate	CE/FCC Class A

Operating System Support	
Windows 10 IoT Enterprise 2021 LTSC, Windows 11 (21H2) or later, Linux 24.04 or later	

Ordering Information	
ARCHMI-S-915DP	15" XGA fanless HMI barebone with Intel 12th/13th Gen. Core i Processor, 2 x SO-DIMM DDR4 slots, Projected Capacitive touch, DC 9~36V input with adapter, Aluminum chassis.
ARCHMI-S-915DR	15" XGA fanless HMI with Intel 12th/13th Gen. Core i Processor, 2 x SO-DIMM DDR4 slots, Resistive touch screen, DC 9~36V input with adapter, Aluminum chassis.
ARCHMI-S-915DPH	15" XGA High brightness fanless HMI barebone with Intel 12th/13th Gen. Core i Processor, 2 x SO-DIMM DDR4 slots, Projected Capacitive touch, DC 9~36V input with adapter, Aluminum chassis.
ARCHMI-S-915DRH	15" XGA High brightness fanless HMI barebone with Intel 12th/13th Gen. Core i Processor, 2 x SO-DIMM DDR4 slots, Resistive touch screen, DC 9~36V input with adapter, Aluminum chassis.

